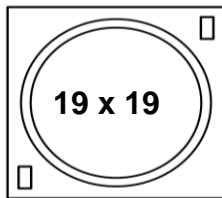


Bemessungsspannung rated voltage	Standard 250V DC optional 450V DC
Bemessungsstrom rated current	5 A
Bemessungstemperatur rated operating temperature	T 120
Befestigung fixing	2 Schrauben M3 2 screws M3
max. Drehmoment max. torque	0,5 Nm
Material des Halters material of the holder	PBT / Mikanit PBT / Mica
Kontaktmaterial contactmaterial	CuSn CuSn



Zulässige COB Abmessungen
Permissible COB dimensions



Länge / length	18,7mm - 19,3mm
Breite / width	18,7mm - 19,3mm
Dicke / height	0,7mm - 1,2mm

Zertifikate / certificates



Ausweis-Nr.
40050075



File
E472943

Weitere technische Daten und Montagehinweise sind im [Technical Guide COB Halterserie 630](#) enthalten.
Further technical details and mounting instructions are part of the [Technical Guide COB holder series 630](#).

Teilumhüllter Halter für folgende COBs / unenclosed holder for the following COBs:

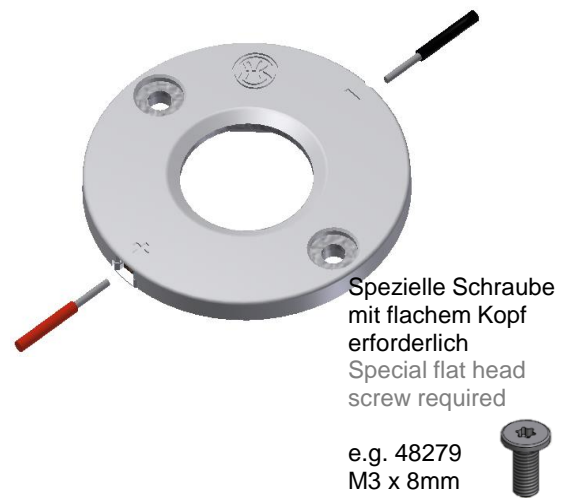
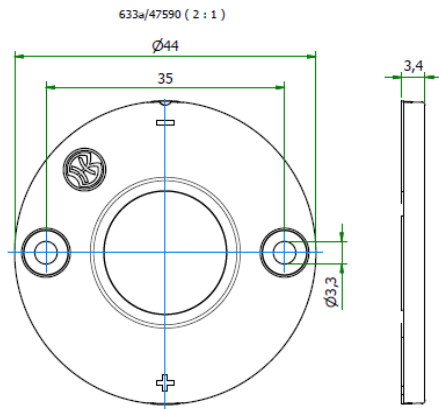
Hersteller / supplier	COB Typ / COB Type	Haltervariante / variant of holder
Bridgelux	V9 HD / V11 HD Gen 7,8	633d
Bridgelux	V13 Gen 7,8,9	633c
Citizen	CLU 038 / 03H / 03J / 03Q	633a
Citizen	CLU 712 / 713	633c optional 633a
Citizen	CLU 723	633c optional 633a
CREE	CHA 0825	633a
CREE	CMT 1922 / 1925 / 1930 / 1945	633c optional 633a
CREE	CMU 1516 / 1519 / 1526 / 1532	633a
Edison	2PHE 15 / 18 / 24 / 30	633a
Lextar	PB 16 / 19 / 26	633a
Lumileds	CS COB L06 / L08 / L10	633a
Luminus	CHM-9-BH	633a
Luminus	CXM-11-xC	633a
Luminus	CGM/CIM/CLM/CXM-14-xC	633a
Philips	Fortimo SLM12xx .. 1919 G7N	633a
Samsung	LC 020C / 030C / 040C	633c optional 633a

Samsung	LC 016D / 019D	633c optional 633a
Samsung	LC 026D / 033D	633c optional 633a
Seoul	SAW* 1564 / 1565 / 1566	633c optional 633a
Tridonic	SLE ADV8 LES 13	633c
Tridonic	SLE ADV8 LES 15	633c
Tridonic	SLE SNC8 LES 15	633c
VS Lighting	DMS 125 / 126 / 128 ***W	633a
VS Lighting	DMS 1208J	633a
VS Lighting	VCA2 126 / 128	633c
Xicato	XOB 14	633a

Die Halter sind erhältlich in unterschiedlichen Gehäuseformen. Alle Varianten sind nachfolgend aufgelistet :
The holders are available will different housings. All possible variants are listed below :

Gehäuse Typ: Housing:	<h1>LowProfile</h1>	Größe / Size :	44 mm
		Höhe / Height :	3,4 mm

Beispiele für passende Optiken examples of suitable optics	LEDIL STELLA-T4, -VSM, -DWC2, -G2-T2, -G2-T3, -G2-T4 KHATOD COSMO 70/90mm
---	--



Teilumhüllter Halter für folgende COBs / unenclosed holder for the following COBs:

Hersteller supplier	COB Typ COB Type	Teile-Nr. part no.	Haltervariante variant of holder
Bridgelux	V9 HD / V11 HD Gen 7,8	47862	COB Holder Hybrid 633d LowProfile
Bridgelux	V13 Gen 7,8,9	47861	COB Holder Hybrid 633c LowProfile
Citizen	CLU 038 / 03H / 03J / 03Q	47590	COB Holder Hybrid 633a LowProfile
Citizen	CLU 712 / 713	47861	COB Holder Hybrid 633c LowProfile
Citizen	CLU 723	47861	COB Holder Hybrid 633c LowProfile
CREE	CHA 0825	47590	COB Holder Hybrid 633a LowProfile
CREE	CMT 1922 / 1925 / 1930 / 1945	47861	COB Holder Hybrid 633c LowProfile
CREE	CMU 1516 / 1519 / 1526 / 1532	47590	COB Holder Hybrid 633a LowProfile
Edison	2PHE 15 / 18 / 24 / 30	47590	COB Holder Hybrid 633a LowProfile
Lextar	PB 16 / 19 / 26	47590	COB Holder Hybrid 633a LowProfile
Lumileds	CS COB L06 / L08 / L10	47590	COB Holder Hybrid 633a LowProfile
Luminus	CHM-9-BH	47590	COB Holder Hybrid 633a LowProfile
Luminus	CXM-11-xC	47590	COB Holder Hybrid 633a LowProfile
Luminus	CGM/CIM/CLM/CXM-14-xC	47590	COB Holder Hybrid 633a LowProfile
Philips	Fortimo SLM12xx .. 1919 G7N	47590	COB Holder Hybrid 633a LowProfile
Samsung	LC 020C / 030C / 040C	47861	COB Holder Hybrid 633c LowProfile

COB HALTER HYBRID
COB HOLDER HYBRID

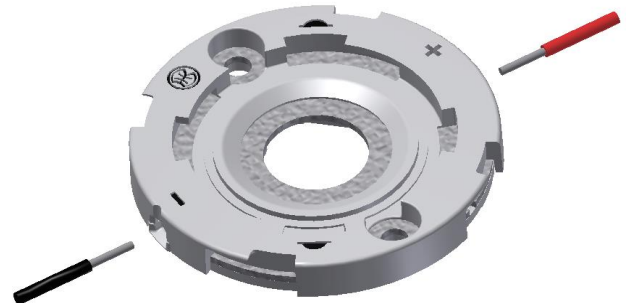
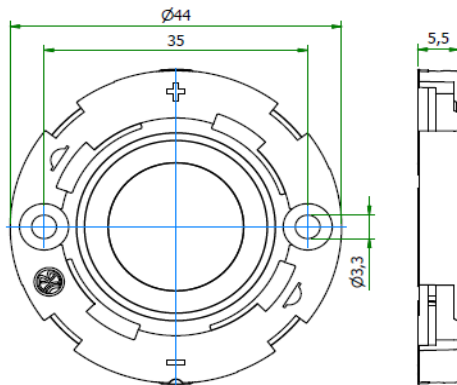
633



Samsung	LC 016D / 019D	47861	COB Holder Hybrid 633c	LowProfile
Samsung	LC 026D / 033D	47861	COB Holder Hybrid 633c	LowProfile
Seoul	SAW* 1564 / 1565 / 1566	47861	COB Holder Hybrid 633c	LowProfile
Tridonic	SLE ADV8 LES 13	47861	COB Holder Hybrid 633c	LowProfile
Tridonic	SLE ADV8 LES 15	47861	COB Holder Hybrid 633c	LowProfile
Tridonic	SLE SNC8 LES 15	47861	COB Holder Hybrid 633c	LowProfile
VS Lighting	DMS 125 / 126 / 128 ***W	47590	COB Holder Hybrid 633a	LowProfile
VS Lighting	DMS 1208J	47590	COB Holder Hybrid 633a	LowProfile
VS Lighting	VCA2 126 / 128	47861	COB Holder Hybrid 633c	LowProfile
Xicato	XOB 14	47590	COB Holder Hybrid 633a	LowProfile

Gehäusetyp: Housing:	<h1>Hekla</h1>	Größe / Size :	44 mm
		Höhe / Height :	5,5 mm

Beispiele für passende Optiken examples of suitable optics	LEDiL BARBARA-G2, MIRELLA-G2, BROOKE-G2, CARMEN 50/70, ZORYA-C
	LEDiL ADELIA-C 50/70/110, ILONA/ILONA ZOOM, RONDA-C, WINNIE-C
	LEDiL AMY/AMY ZOOM (-C) 50/70, YASMEEN/YASMEEN ZOOM (-C) 50/70



Teilumhüllter Halter für folgende COBs / unenclosed holder for the following COBs:

Hersteller supplier	COB Typ COB Type	Teile-Nr. part no.	Haltervariante variant of holder
Bridgelux	V9 HD / V11 HD Gen 7,8	47561	COB Holder Hybrid 633d Hekla
Bridgelux	V13 Gen 7,8,9	47560	COB Holder Hybrid 633c Hekla
Citizen	CLU 038 / 03H / 03J / 03Q	47495	COB Holder Hybrid 633a Hekla
Citizen	CLU 712 / 713	47560	COB Holder Hybrid 633c Hekla
Citizen	CLU 723	47560	COB Holder Hybrid 633c Hekla
CREE	CHA 0825	47495	COB Holder Hybrid 633a Hekla
CREE	CMT 1922 / 1925 / 1930 / 1945	47560	COB Holder Hybrid 633c Hekla
CREE	CMU 1516 / 1519 / 1526 / 1532	47495	COB Holder Hybrid 633a Hekla
Edison	2PHE 15 / 18 / 24 / 30	47495	COB Holder Hybrid 633a Hekla
Lextar	PB 16 / 19 / 26	47495	COB Holder Hybrid 633a Hekla
Lumileds	CS COB L06 / L08 / L10	47495	COB Holder Hybrid 633a Hekla
Luminus	CHM-9-BH	47495	COB Holder Hybrid 633a Hekla
Luminus	CXM-11-xC	47495	COB Holder Hybrid 633a Hekla
Luminus	CGM/CIM/CLM/CXM-14-xC	47495	COB Holder Hybrid 633a Hekla
Philips	Fortimo SLM12xx .. 1919 G7N	47495	COB Holder Hybrid 633a Hekla
Samsung	LC 020C / 030C / 040C	47560	COB Holder Hybrid 633c Hekla

COB HALTER HYBRID
COB HOLDER HYBRID

633



Samsung	LC 016D / 019D	47560	COB Holder Hybrid 633c	Hekla
Samsung	LC 026D / 033D	47560	COB Holder Hybrid 633c	Hekla
Seoul	SAW* 1564 / 1565 / 1566	47560	COB Holder Hybrid 633c	Hekla
Tridonic	SLE ADV8 LES 13	47560	COB Holder Hybrid 633c	Hekla
Tridonic	SLE ADV8 LES 15	47560	COB Holder Hybrid 633c	Hekla
Tridonic	SLE SNC8 LES 15	47560	COB Holder Hybrid 633c	Hekla
VS Lighting	DMS 125 / 126 / 128 ***W	47495	COB Holder Hybrid 633a	Hekla
VS Lighting	DMS 1208J	47495	COB Holder Hybrid 633a	Hekla
VS Lighting	VCA2 126 / 128	47560	COB Holder Hybrid 633c	Hekla
Xicato	XOB 14	47495	COB Holder Hybrid 633a	Hekla

Gehäusetyp: Housing:	<h1>Bayonet35/25</h1>	Größe / Size :	35 mm
		Höhe / Height :	3,5 mm

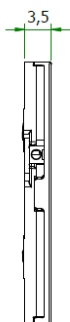
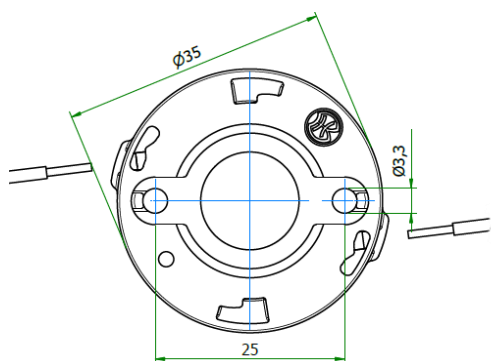
Beispiele für passende Optiken examples of suitable optics	LEDIL AMY/ AMY ZOOM (-B), YASMEEN / YASMEEN ZOOM (-B) GAGGIONE HADAR70H40* (-ZOOM) HERCULUX KIRIN HOLDER D35
---	--

Version 2 **Bayonet35/25** : 633x, 634x, 641x

Durchmesser/diameter 35mm

Befestigungsabstand/fixing distance 25mm

NEW



Spezielle Schraube mit flachem Kopf erforderlich
Special flat head screw required

e.g. 48279



Neue Halterserie in den standardisierten Abmessungen B35/25.

New holder version in standardized B35/25 dimensions.

Teilumhüllter Halter für folgende COBs / unenclosed holder for the following COBs:

Hersteller supplier	COB Typ COB Type	Teile-Nr. part no.	Haltervariante variant of holder
Bridgelux	V9 HD / V11 HD Gen 7,8	50242	COB Holder Hybrid 633d Bayonet35/25
Bridgelux	V13 Gen 7,8,9	50241	COB Holder Hybrid 633c Bayonet35/25
Citizen	CLU 038 / 03H / 03J / 03Q	50238	COB Holder Hybrid 633a Bayonet35/25
Citizen	CLU 712 / 713	50241	COB Holder Hybrid 633c Bayonet35/25
Citizen	CLU 723	50241	COB Holder Hybrid 633c Bayonet35/25
CREE	CHA 0825	50238	COB Holder Hybrid 633a Bayonet35/25
CREE	CMT 1922 / 1925 / 1930 / 1945	50241	COB Holder Hybrid 633c Bayonet35/25
CREE	CMU 1516 / 1519 / 1526 / 1532	50238	COB Holder Hybrid 633a Bayonet35/25
Edison	2PHE 15 / 18 / 24 / 30	50238	COB Holder Hybrid 633a Bayonet35/25
Lextar	PB 16 / 19 / 26	50238	COB Holder Hybrid 633a Bayonet35/25
Lumileds	CS COB L06 / L08 / L10	50238	COB Holder Hybrid 633a Bayonet35/25
Luminus	CHM-9-BH	50238	COB Holder Hybrid 633a Bayonet35/25
Luminus	CXM-11-xC	50238	COB Holder Hybrid 633a Bayonet35/25
Luminus	CGM/CIM/CLM/CXM-14-xC	50238	COB Holder Hybrid 633a Bayonet35/25
Philips	Fortimo SLM12xx .. 1919 G7N	50238	COB Holder Hybrid 633a Bayonet35/25
Samsung	LC 020C / 030C / 040C	50241	COB Holder Hybrid 633c Bayonet35/25

COB HALTER HYBRID
COB HOLDER HYBRID

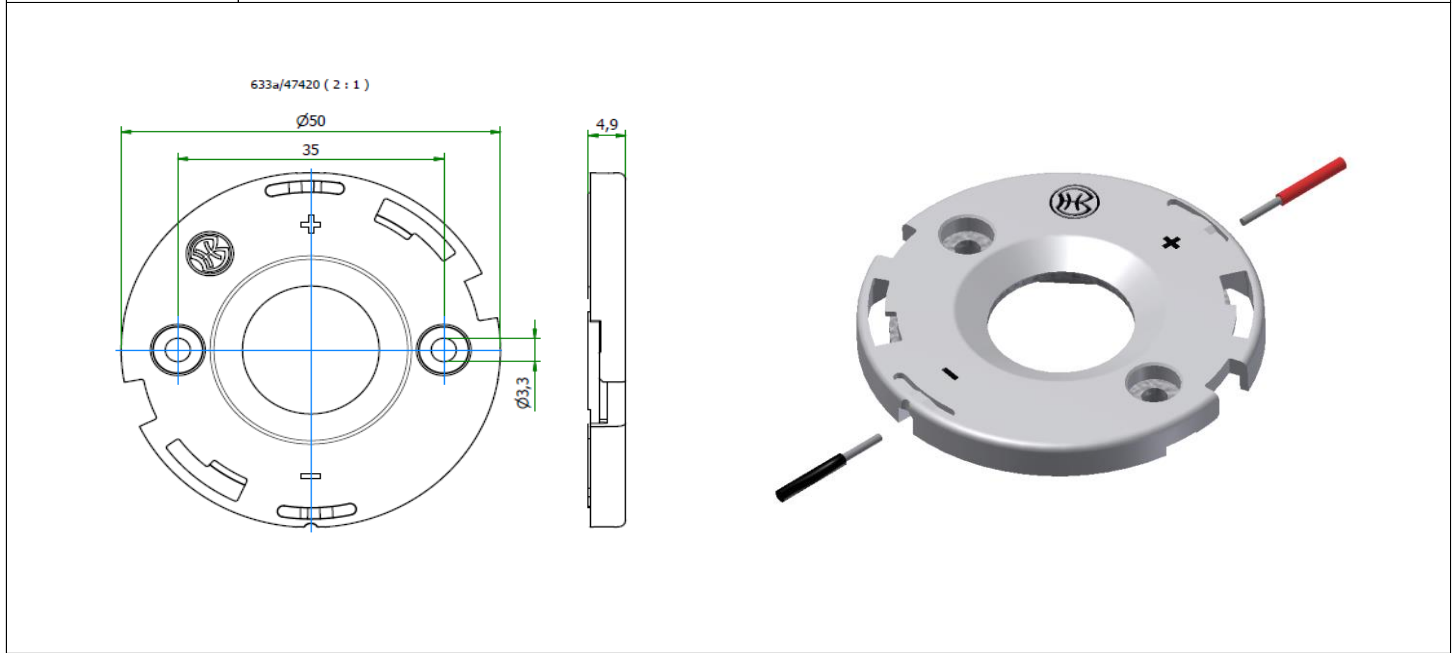
633



Samsung	LC 016D / 019D	50241	COB Holder Hybrid 633c	Bayonet35/25
Samsung	LC 026D / 033D	50241	COB Holder Hybrid 633c	Bayonet35/25
Seoul	SAW* 1564 / 1565 / 1566	50241	COB Holder Hybrid 633c	Bayonet35/25
Tridonic	SLE ADV8 LES 13	50241	COB Holder Hybrid 633c	Bayonet35/25
Tridonic	SLE ADV8 LES 15	50241	COB Holder Hybrid 633c	Bayonet35/25
Tridonic	SLE SNC8 LES 15	50241	COB Holder Hybrid 633c	Bayonet35/25
VS Lighting	DMS 125 / 126 / 128 ***W	50238	COB Holder Hybrid 633a	Bayonet35/25
VS Lighting	DMS 1208J	50238	COB Holder Hybrid 633a	Bayonet35/25
VS Lighting	VCA2 126 / 128	50241	COB Holder Hybrid 633c	Bayonet35/25
Xicato	XOB 14	50238	COB Holder Hybrid 633a	Bayonet35/25

Gehäusetyp: Housing:	<h1>Bayonet50</h1>	Größe / Size :	50 mm
		Höhe / Height :	4,9 mm

Beispiele für passende Optiken examples of suitable optics	LEDIL ANGELA-B, ANGELINA-B, ANGELETTE-B, ZORYA-B, ADELIA-B 50/70/110 GAGGIONE LLR07M, LLR27M, HADAR70H41* HERCULUX KIRIN HOLDER D50
--	--



Teilumhüllter Halter für folgende COBs / unenclosed holder for the following COBs:

Hersteller supplier	COB Typ COB Type	Teile-Nr. part no.	Haltervariante variant of holder
Bridgelux	V9 HD / V11 HD Gen 7,8	47423	COB Holder Hybrid 633d Bayonet50
Bridgelux	V13 Gen 7,8,9	47422	COB Holder Hybrid 633c Bayonet50
Citizen	CLU 038 / 03H / 03J / 03Q	47420	COB Holder Hybrid 633a Bayonet50
Citizen	CLU 712 / 713	47422	COB Holder Hybrid 633c Bayonet50
Citizen	CLU 723	47422	COB Holder Hybrid 633c Bayonet50
CREE	CHA 0825	47420	COB Holder Hybrid 633a Bayonet50
CREE	CMT 1922 / 1925 / 1930 / 1945	47422	COB Holder Hybrid 633c Bayonet50
CREE	CMU 1516 / 1519 / 1526 / 1532	47420	COB Holder Hybrid 633a Bayonet50
Edison	2PHE 15 / 18 / 24 / 30	47420	COB Holder Hybrid 633a Bayonet50
Lextar	PB 16 / 19 / 26	47420	COB Holder Hybrid 633a Bayonet50
Lumileds	CS COB L06 / L08 / L10	47420	COB Holder Hybrid 633a Bayonet50
Luminus	CHM-9-BH	47420	COB Holder Hybrid 633a Bayonet50
Luminus	CXM-11-xC	47420	COB Holder Hybrid 633a Bayonet50
Luminus	CGM/CIM/CLM/CXM-14-xC	47420	COB Holder Hybrid 633a Bayonet50
Philips	Fortimo SLM12xx .. 1919 G7N	47420	COB Holder Hybrid 633a Bayonet50
Samsung	LC 020C / 030C / 040C	47422	COB Holder Hybrid 633c Bayonet50

COB HALTER HYBRID
COB HOLDER HYBRID

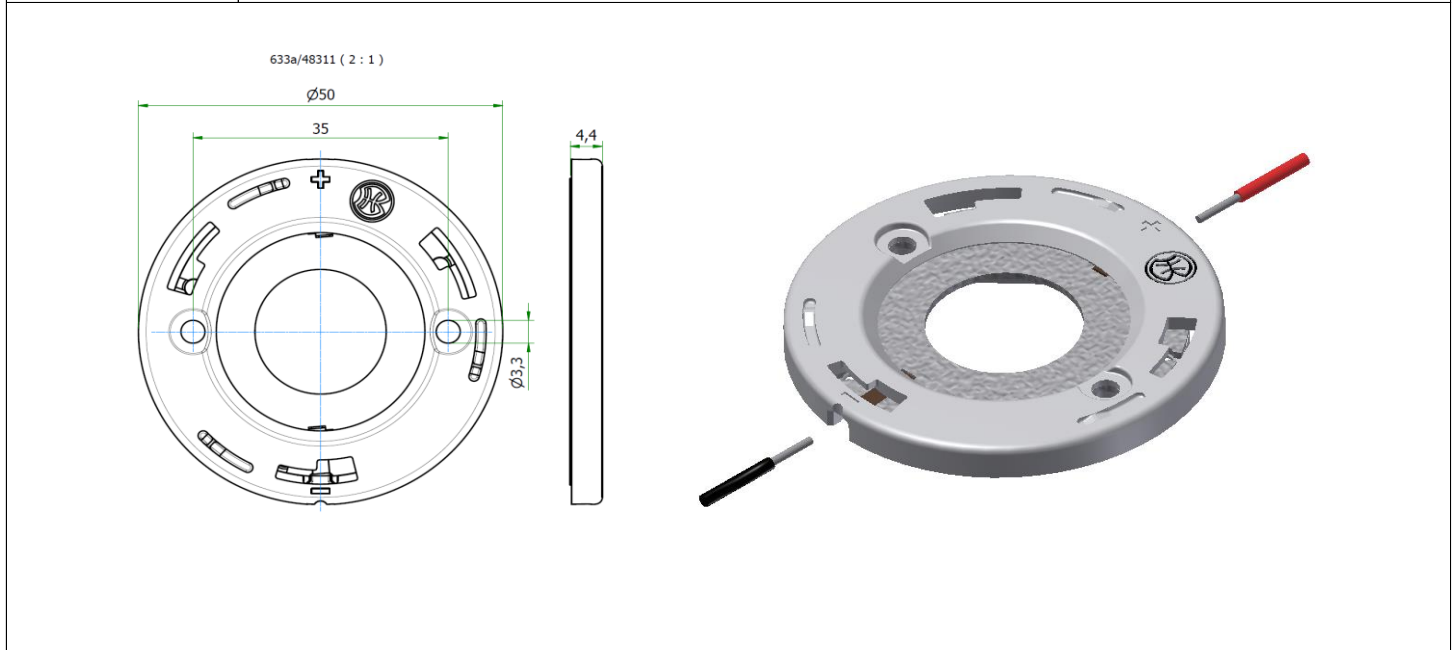
633



Samsung	LC 016D / 019D	47422	COB Holder Hybrid 633c	Bayonet50
Samsung	LC 026D / 033D	47422	COB Holder Hybrid 633c	Bayonet50
Seoul	SAW* 1564 / 1565 / 1566	47422	COB Holder Hybrid 633c	Bayonet50
Tridonic	SLE ADV8 LES 13	47422	COB Holder Hybrid 633c	Bayonet50
Tridonic	SLE ADV8 LES 15	47422	COB Holder Hybrid 633c	Bayonet50
Tridonic	SLE SNC8 LES 15	47422	COB Holder Hybrid 633c	Bayonet50
VS Lighting	DMS 125 / 126 / 128 ***W	47420	COB Holder Hybrid 633a	Bayonet50
VS Lighting	DMS 1208J	47420	COB Holder Hybrid 633a	Bayonet50
VS Lighting	VCA2 126 / 128	47422	COB Holder Hybrid 633c	Bayonet50
Xicato	XOB 14	47420	COB Holder Hybrid 633a	Bayonet50

Gehäusetyp: Housing:	<h1>Bayonet50G</h1>	Größe / Size :	50 mm
		Höhe / Height :	4,5 mm

Beispiele für passende Optiken examples of suitable optics	GAGGIONE HADAR70H10* (-ZOOM) GAGGIONE LLC66 / LLC79 / SIRIUS50 ZOOM GAGGIONE VEGA50 / UFO45 / UFO67
---	--



Teilumhüllter Halter für folgende COBs / unenclosed holder for the following COBs:

Hersteller supplier	COB Typ COB Type	Teile-Nr. part no.	Haltervariante variant of holder
Bridgelux	V9 HD / V11 HD Gen 7,8	48344	COB Holder Hybrid 633d Bayonet50G
Bridgelux	V13 Gen 7,8,9	48343	COB Holder Hybrid 633c Bayonet50G
Citizen	CLU 038 / 03H / 03J / 03Q	48311	COB Holder Hybrid 633a Bayonet50G
Citizen	CLU 712 / 713	48343	COB Holder Hybrid 633c Bayonet50G
Citizen	CLU 723	48343	COB Holder Hybrid 633c Bayonet50G
CREE	CHA 0825	48311	COB Holder Hybrid 633a Bayonet50G
CREE	CMT 1922 / 1925 / 1930 / 1945	48343	COB Holder Hybrid 633c Bayonet50G
CREE	CMU 1516 / 1519 / 1526 / 1532	48311	COB Holder Hybrid 633a Bayonet50G
Edison	2PHE 15 / 18 / 24 / 30	48311	COB Holder Hybrid 633a Bayonet50G
Lextar	PB 16 / 19 / 26	48311	COB Holder Hybrid 633a Bayonet50G
Lumileds	CS COB L06 / L08 / L10	48311	COB Holder Hybrid 633a Bayonet50G
Luminus	CHM-9-BH	48311	COB Holder Hybrid 633a Bayonet50G
Luminus	CXM-11-xC	48311	COB Holder Hybrid 633a Bayonet50G
Luminus	CGM/CIM/CLM/CXM-14-xC	48311	COB Holder Hybrid 633a Bayonet50G
Philips	Fortimo SLM12xx .. 1919 G7N	48311	COB Holder Hybrid 633a Bayonet50G
Samsung	LC 020C / 030C / 040C	48343	COB Holder Hybrid 633c Bayonet50G

COB HALTER HYBRID
COB HOLDER HYBRID

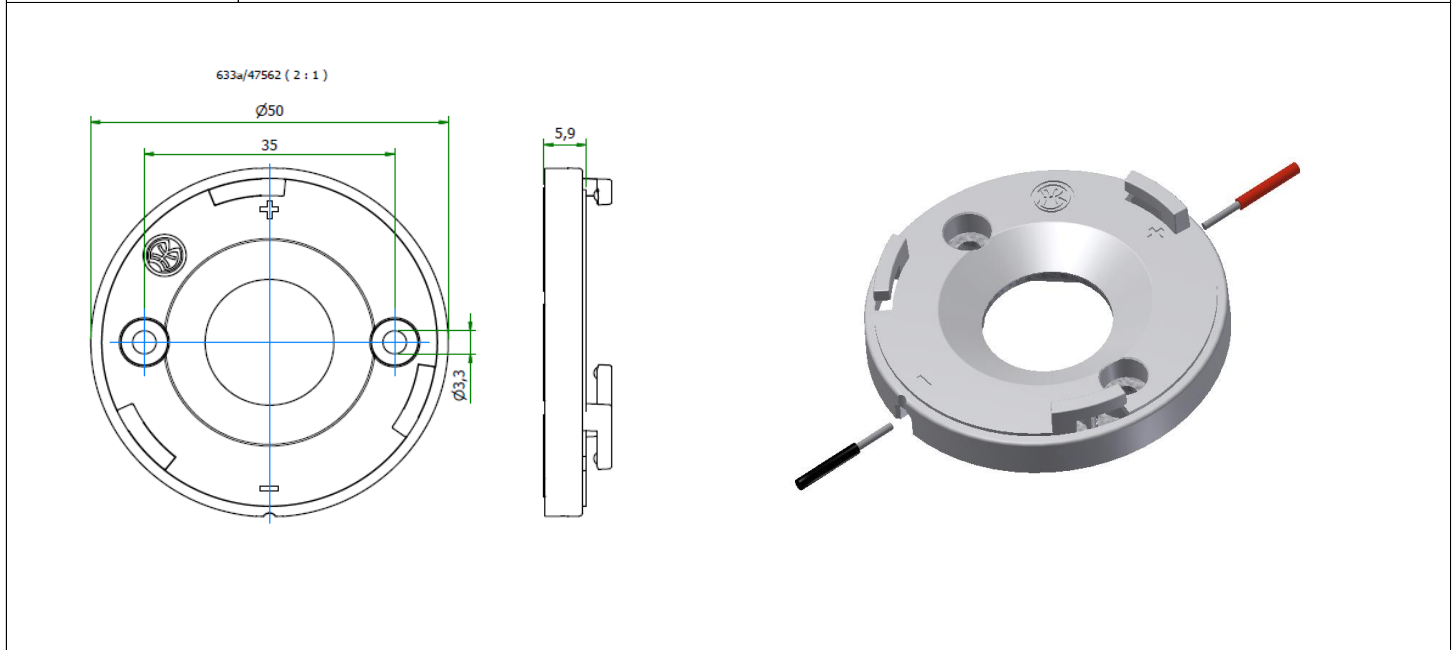
633



Samsung	LC 016D / 019D	48343	COB Holder Hybrid 633c	Bayonet50G
Samsung	LC 026D / 033D	48343	COB Holder Hybrid 633c	Bayonet50G
Seoul	SAW* 1564 / 1565 / 1566	48343	COB Holder Hybrid 633c	Bayonet50G
Tridonic	SLE ADV8 LES 13	48343	COB Holder Hybrid 633c	Bayonet50G
Tridonic	SLE ADV8 LES 15	48343	COB Holder Hybrid 633c	Bayonet50G
Tridonic	SLE SNC8 LES 15	48343	COB Holder Hybrid 633c	Bayonet50G
VS Lighting	DMS 125 / 126 / 128 ***W	48311	COB Holder Hybrid 633a	Bayonet50G
VS Lighting	DMS 1208J	48311	COB Holder Hybrid 633a	Bayonet50G
VS Lighting	VCA2 126 / 128	48343	COB Holder Hybrid 633c	Bayonet50G
Xicato	XOB 14	48311	COB Holder Hybrid 633a	Bayonet50G

Gehäusetyp: Housing:	<h1>3Hook</h1>	Größe / Size :	50 mm
		Höhe / Height :	5,9 mm

Beispiele für passende Optiken examples of suitable optics	LEDiL ANGELA, ANGELINA, ANGELETTE LEDiL MOLLY, RONDA (HOLDER A) CARCLO S1
---	---



Teilumhüllter Halter für folgende COBs / unenclosed holder for the following COBs:

Hersteller supplier	COB Typ COB Type	Teile-Nr. part no.	Haltervariante variant of holder
Bridgelux	V9 HD / V11 HD Gen 7,8	47565	COB Holder Hybrid 633d 3Hook
Bridgelux	V13 Gen 7,8,9	47564	COB Holder Hybrid 633c 3Hook
Citizen	CLU 038 / 03H / 03J / 03Q	47562	COB Holder Hybrid 633a 3Hook
Citizen	CLU 712 / 713	47564	COB Holder Hybrid 633c 3Hook
Citizen	CLU 723	47564	COB Holder Hybrid 633c 3Hook
CREE	CHA 0825	47562	COB Holder Hybrid 633a 3Hook
CREE	CMT 1922 / 1925 / 1930 / 1945	47564	COB Holder Hybrid 633c 3Hook
CREE	CMU 1516 / 1519 / 1526 / 1532	47562	COB Holder Hybrid 633a 3Hook
Edison	2PHE 15 / 18 / 24 / 30	47562	COB Holder Hybrid 633a 3Hook
Lextar	PB 16 / 19 / 26	47562	COB Holder Hybrid 633a 3Hook
Lumileds	CS COB L06 / L08 / L10	47562	COB Holder Hybrid 633a 3Hook
Luminus	CHM-9-BH	47562	COB Holder Hybrid 633a 3Hook
Luminus	CXM-11-xC	47562	COB Holder Hybrid 633a 3Hook
Luminus	CGM/CIM/CLM/CXM-14-xC	47562	COB Holder Hybrid 633a 3Hook
Philips	Fortimo SLM12xx .. 1919 G7N	47562	COB Holder Hybrid 633a 3Hook
Samsung	LC 020C / 030C / 040C	47564	COB Holder Hybrid 633c 3Hook

COB HALTER HYBRID
COB HOLDER HYBRID

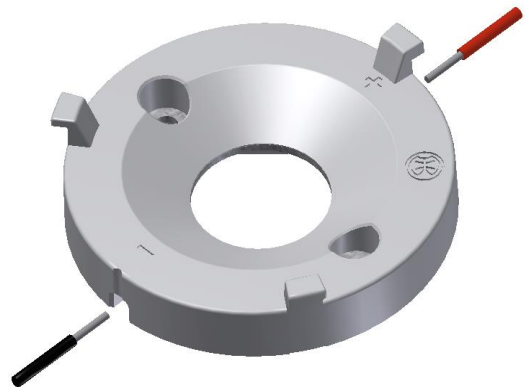
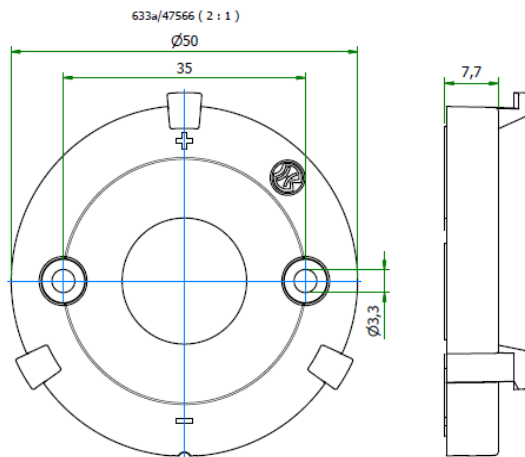
633



Samsung	LC 016D / 019D	47564	COB Holder Hybrid 633c	3Hook
Samsung	LC 026D / 033D	47564	COB Holder Hybrid 633c	3Hook
Seoul	SAW* 1564 / 1565 / 1566	47564	COB Holder Hybrid 633c	3Hook
Tridonic	SLE ADV8 LES 13	47564	COB Holder Hybrid 633c	3Hook
Tridonic	SLE ADV8 LES 15	47564	COB Holder Hybrid 633c	3Hook
Tridonic	SLE SNC8 LES 15	47564	COB Holder Hybrid 633c	3Hook
VS Lighting	DMS 125 / 126 / 128 ***W	47562	COB Holder Hybrid 633a	3Hook
VS Lighting	DMS 1208J	47562	COB Holder Hybrid 633a	3Hook
VS Lighting	VCA2 126 / 128	47564	COB Holder Hybrid 633c	3Hook
Xicato	XOB 14	47562	COB Holder Hybrid 633a	3Hook

Gehäusetyp: Housing:	<h1>Lena</h1>	Größe / Size :	50 mm
		Höhe / Height :	7,7 mm

Beispiele für passende Optiken examples of suitable optics	LEDiL LENA, LENINA
--	---------------------------



Teilumhüllter Halter für folgende COBs / unenclosed holder for the following COBs:

Hersteller supplier	COB Typ COB Type	Teile-Nr. part no.	Haltervariante variant of holder
Bridgelux	V9 HD / V11 HD Gen 7,8	47577	COB Holder Hybrid 633d Lena
Bridgelux	V13 Gen 7,8,9	47576	COB Holder Hybrid 633c Lena
Citizen	CLU 038 / 03H / 03J / 03Q	47566	COB Holder Hybrid 633a Lena
Citizen	CLU 712 / 713	47576	COB Holder Hybrid 633c Lena
Citizen	CLU 723	47576	COB Holder Hybrid 633c Lena
CREE	CHA 0825	47566	COB Holder Hybrid 633a Lena
CREE	CMT 1922 / 1925 / 1930 / 1945	47576	COB Holder Hybrid 633c Lena
CREE	CMU 1516 / 1519 / 1526 / 1532	47566	COB Holder Hybrid 633a Lena
Edison	2PHE 15 / 18 / 24 / 30	47566	COB Holder Hybrid 633a Lena
Lextar	PB 16 / 19 / 26	47566	COB Holder Hybrid 633a Lena
Lumileds	CS COB L06 / L08 / L10	47566	COB Holder Hybrid 633a Lena
Luminus	CHM-9-BH	47566	COB Holder Hybrid 633a Lena
Luminus	CXM-11-xC	47566	COB Holder Hybrid 633a Lena
Luminus	CGM/CIM/CLM/CXM-14-xC	47566	COB Holder Hybrid 633a Lena
Philips	Fortimo SLM12xx .. 1919 G7N	47566	COB Holder Hybrid 633a Lena
Samsung	LC 020C / 030C / 040C	47576	COB Holder Hybrid 633c Lena

COB HALTER HYBRID
COB HOLDER HYBRID

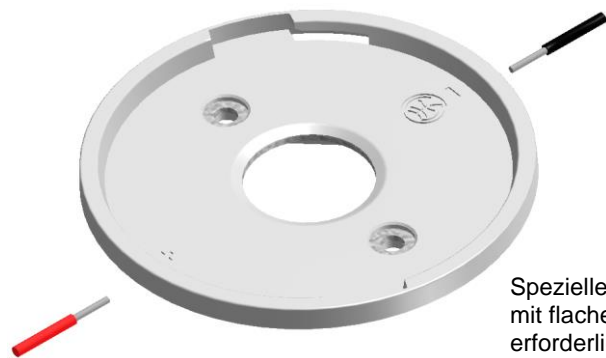
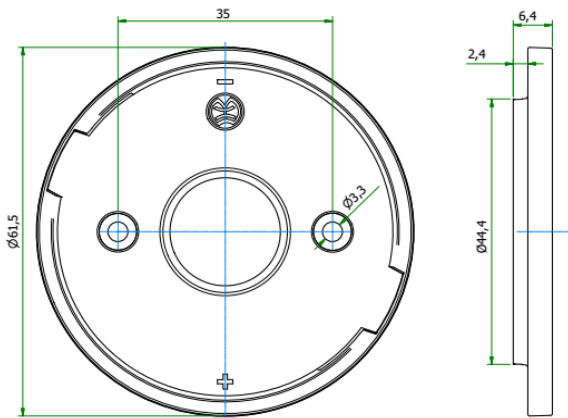
633



Samsung	LC 016D / 019D	47576	COB Holder Hybrid 633c	Lena
Samsung	LC 026D / 033D	47576	COB Holder Hybrid 633c	Lena
Seoul	SAW* 1564 / 1565 / 1566	47576	COB Holder Hybrid 633c	Lena
Tridonic	SLE ADV8 LES 13	47576	COB Holder Hybrid 633c	Lena
Tridonic	SLE ADV8 LES 15	47576	COB Holder Hybrid 633c	Lena
Tridonic	SLE SNC8 LES 15	47576	COB Holder Hybrid 633c	Lena
VS Lighting	DMS 125 / 126 / 128 ***W	47566	COB Holder Hybrid 633a	Lena
VS Lighting	DMS 1208J	47566	COB Holder Hybrid 633a	Lena
VS Lighting	VCA2 126 / 128	47576	COB Holder Hybrid 633c	Lena
Xicato	XOB 14	47566	COB Holder Hybrid 633a	Lena

Gehäusetyp: Housing:	<h1>RJR</h1>	Größe / Size :	61,5 mm
		Höhe / Height :	6,5 mm

Beispiele für passende Optiken examples of suitable optics	BARTENBACH RJR OPTIC
--	-----------------------------



Spezielle Schraube mit flachem Kopf erforderlich
Special flat head screw required

e.g. 48279
M3 x 8mm



Teilumhüllter Halter für folgende COBs / unenclosed holder for the following COBs:

Hersteller supplier	COB Typ COB Type	Teile-Nr. part no.	Haltervariante variant of holder
Bridgelux	V9 HD / V11 HD Gen 7,8	on request	COB Holder Hybrid 633d RJR
Bridgelux	V13 Gen 7,8,9	48815	COB Holder Hybrid 633c RJR
Citizen	CLU 038 / 03H / 03J / 03Q	48803	COB Holder Hybrid 633a RJR
Citizen	CLU 712 / 713	48815	COB Holder Hybrid 633c RJR
Citizen	CLU 723	48815	COB Holder Hybrid 633c RJR
CREE	CHA 0825	48803	COB Holder Hybrid 633a RJR
CREE	CMT 1922 / 1925 / 1930 / 1945	48815	COB Holder Hybrid 633c RJR
CREE	CMU 1516 / 1519 / 1526 / 1532	48803	COB Holder Hybrid 633a RJR
Edison	2PHE 15 / 18 / 24 / 30	48803	COB Holder Hybrid 633a RJR
Lextar	PB 16 / 19 / 26	48803	COB Holder Hybrid 633a RJR
Lumileds	CS COB L06 / L08 / L10	48803	COB Holder Hybrid 633a RJR
Luminus	CHM-9-BH	48803	COB Holder Hybrid 633a RJR
Luminus	CXM-11-xC	48803	COB Holder Hybrid 633a RJR
Luminus	CGM/CIM/CLM/CXM-14-xC	48803	COB Holder Hybrid 633a RJR
Philips	Fortimo SLM12xx .. 1919 G7N	48803	COB Holder Hybrid 633a RJR
Samsung	LC 020C / 030C / 040C	48815	COB Holder Hybrid 633c RJR

COB HALTER HYBRID
COB HOLDER HYBRID

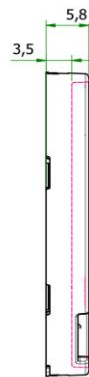
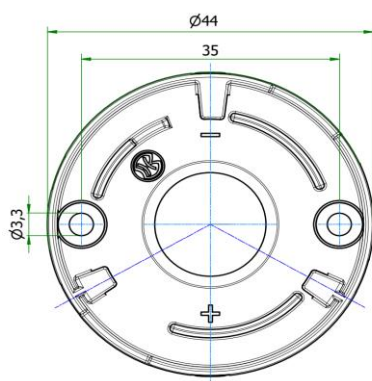
633



Samsung	LC 016D / 019D	48815	COB Holder Hybrid 633c	RJR
Samsung	LC 026D / 033D	48815	COB Holder Hybrid 633c	RJR
Seoul	SAW* 1564 / 1565 / 1566	48815	COB Holder Hybrid 633c	RJR
Tridonic	SLE ADV8 LES 13	48815	COB Holder Hybrid 633c	RJR
Tridonic	SLE ADV8 LES 15	48815	COB Holder Hybrid 633c	RJR
Tridonic	SLE SNC8 LES 15	48815	COB Holder Hybrid 633c	RJR
VS Lighting	DMS 125 / 126 / 128 ***W	48803	COB Holder Hybrid 633a	RJR
VS Lighting	DMS 1208J	48803	COB Holder Hybrid 633a	RJR
VS Lighting	VCA2 126 / 128	48815	COB Holder Hybrid 633c	RJR
Xicato	XOB 14	48803	COB Holder Hybrid 633a	RJR

Gehäusetyp: Housing:	Nata M30	Größe / Size :	44 mm
		Höhe / Height :	5,8 mm

Beispiele für passende Optiken examples of suitable optics	NATA M30 e.g. 1687M,1709M,1-0788M etc.
---	--



Spezielle Schraube mit flachem Kopf erforderlich
Special flat head screw required

e.g. 48279
M3 x 8mm



Teilumhüllter Halter für folgende COBs / unenclosed holder for the following COBs:

Hersteller supplier	COB Typ COB Type	Teile-Nr. part no.	Haltervariante variant of holder
Bridgelux	V9 HD / V11 HD Gen 7,8	on request	COB Holder Hybrid 633d Nata M30
Bridgelux	V13 Gen 7,8,9	on request	COB Holder Hybrid 633c Nata M30
Citizen	CLU 038 / 03H / 03J / 03Q	48923	COB Holder Hybrid 633a Nata M30
Citizen	CLU 712 / 713	on request	COB Holder Hybrid 633c Nata M30
Citizen	CLU 723	on request	COB Holder Hybrid 633c Nata M30
CREE	CHA 0825	48923	COB Holder Hybrid 633a Nata M30
CREE	CMT 1922 / 1925 / 1930 / 1945	on request	COB Holder Hybrid 633c Nata M30
CREE	CMU 1516 / 1519 / 1526 / 1532	48923	COB Holder Hybrid 633a Nata M30
Edison	2PHE 15 / 18 / 24 / 30	48923	COB Holder Hybrid 633a Nata M30
Lextar	PB 16 / 19 / 26	48923	COB Holder Hybrid 633a Nata M30
Lumileds	CS COB L06 / L08 / L10	48923	COB Holder Hybrid 633a Nata M30
Luminus	CHM-9-BH	48923	COB Holder Hybrid 633a Nata M30
Luminus	CXM-11-xC	48923	COB Holder Hybrid 633a Nata M30
Luminus	CGM/CIM/CLM/CXM-14-xC	48923	COB Holder Hybrid 633a Nata M30
Philips	Fortimo SLM12xx .. 1919 G7N	48923	COB Holder Hybrid 633a Nata M30
Samsung	LC 020C / 030C / 040C	on request	COB Holder Hybrid 633c Nata M30

COB HALTER HYBRID
COB HOLDER HYBRID

633



Samsung	LC 016D / 019D	on request	COB Holder Hybrid 633c	Nata M30
Samsung	LC 026D / 033D	on request	COB Holder Hybrid 633c	Nata M30
Seoul	SAW* 1564 / 1565 / 1566	on request	COB Holder Hybrid 633c	Nata M30
Tridonic	SLE ADV8 LES 13	on request	COB Holder Hybrid 633c	Nata M30
Tridonic	SLE ADV8 LES 15	on request	COB Holder Hybrid 633c	Nata M30
Tridonic	SLE SNC8 LES 15	on request	COB Holder Hybrid 633c	Nata M30
VS Lighting	DMS 125 / 126 / 128 ***W	48923	COB Holder Hybrid 633a	Nata M30
VS Lighting	DMS 1208J	48923	COB Holder Hybrid 633a	Nata M30
VS Lighting	VCA2 126 / 128	on request	COB Holder Hybrid 633c	Nata M30
Xicato	XOB 14	48923	COB Holder Hybrid 633a	Nata M30